
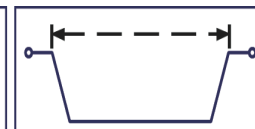

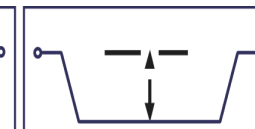
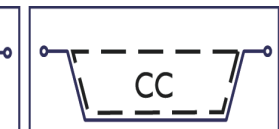


Specification Sheet – Product Code 2014



				
top out (mm)	top in (mm)	base (mm)	height (mm)	capacity (cc)
169	144	122	14	200

Specifications	
Type	Plate
Flange Style	Rolled Edge
Base Style	Plain Cartwheel Emboss
Material	Plain Aluminium Foil Container Strip - H24
Gauge (micron)	45
Metal Weight/1000 (kgs)	3.41 (+/- 8% tolerance)
Quantity Per Case	1,500
Cases Per Layer/ Pallet	5 Cases 20 Cases
Carton weight gross(kgs)	5.61
Outer carton dimensions(mm)	543 X 362 X 435